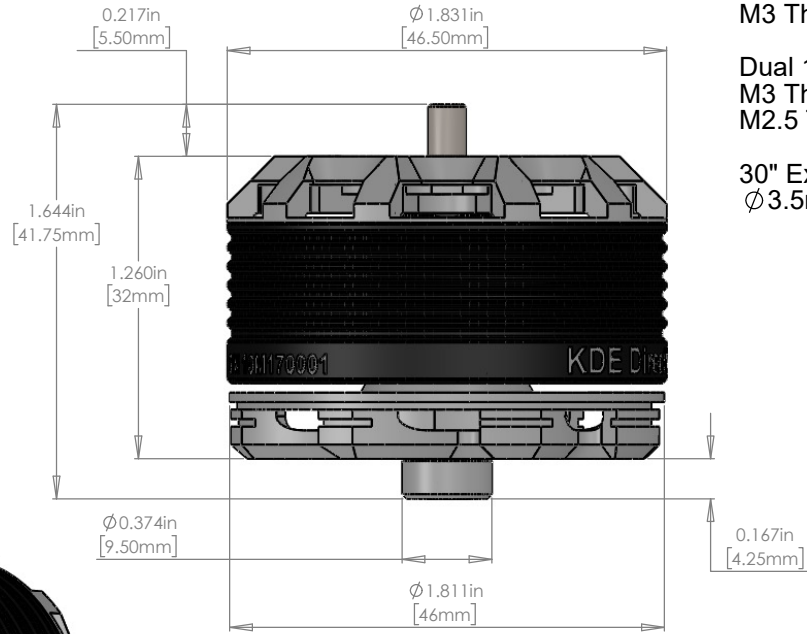
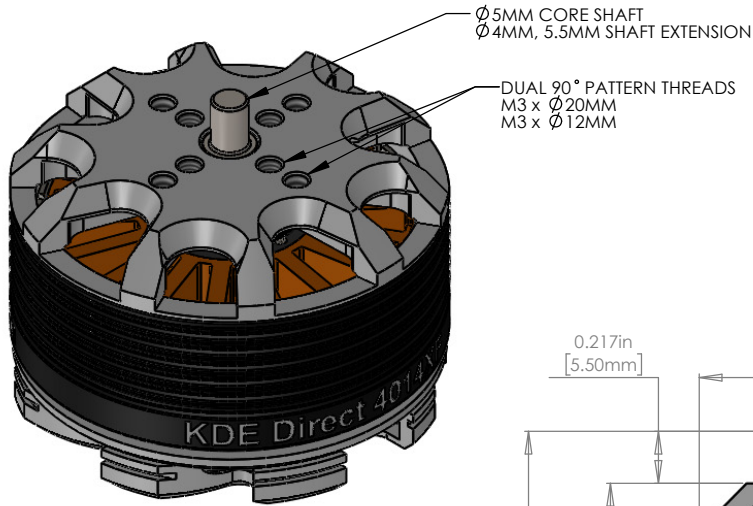


**KDE4014XF-380 (D5) KDE DIRECT UAS BRUSHLESS MOTOR
PRODUCTION RELEASE**

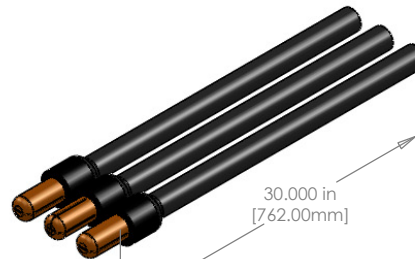


OVERSIZED 625ZZ RADIAL BALL BEARING

SHAFT MACHINED FLUSH TO COLLAR

DUAL 90° PATTERN THREADS
 M4 x \varnothing 25MM
 M3 x \varnothing 25MM

DUAL 120° PATTERN THREADS
 M3 x \varnothing 32MM
 M2.5 x \varnothing 32MM



KDE DIRECT UAS BRUSHLESS MOTOR SPECS.

\varnothing 5mm Core Shaft
 \varnothing 4mm, 5.5mm Extended Length
 - Shaft Flush with Retaining Collar

685ZZ Upper Bearing (\varnothing 5mm x \varnothing 11mm x 5mm)
 - Double Upper Bearings
 625ZZ Lower Bearing (\varnothing 5mm x \varnothing 16mm x 5mm)

Dual 90° Pattern Threads:
 M3 Threads x \varnothing 20mm Spacing
 M3 Threads x \varnothing 12mm Spacing

Dual 90° Pattern Threads:
 M4 Threads x \varnothing 25mm Spacing
 M3 Threads x \varnothing 25mm Spacing

Dual 120° Pattern Threads:
 M3 Threads x \varnothing 32mm Spacing
 M2.5 Threads x \varnothing 32mm Spacing

30" Exit Lead Extensions (15 AWG)
 \varnothing 3.5mm 24k Bullets, Pre-Soldered and Shrink Wrap

